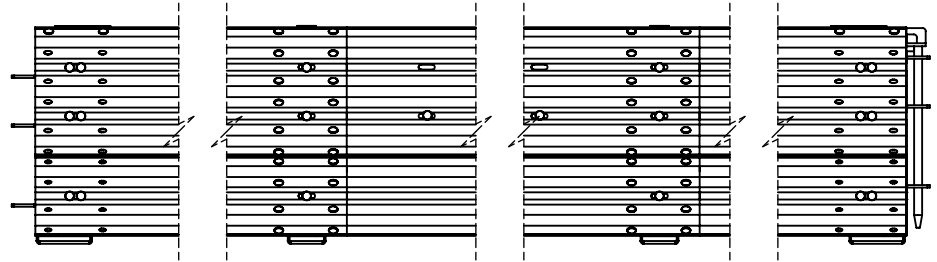
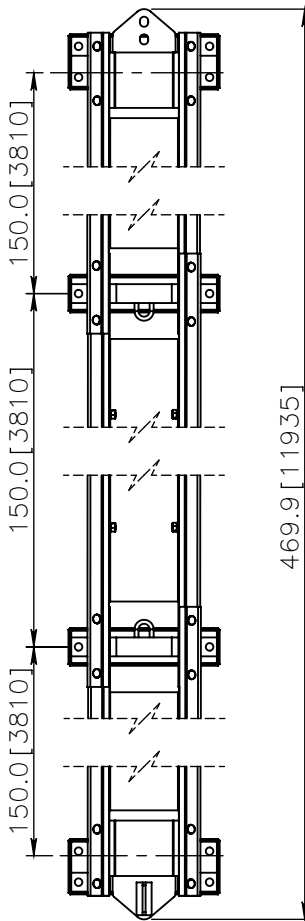


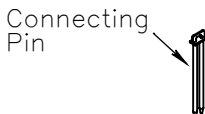
FRONT



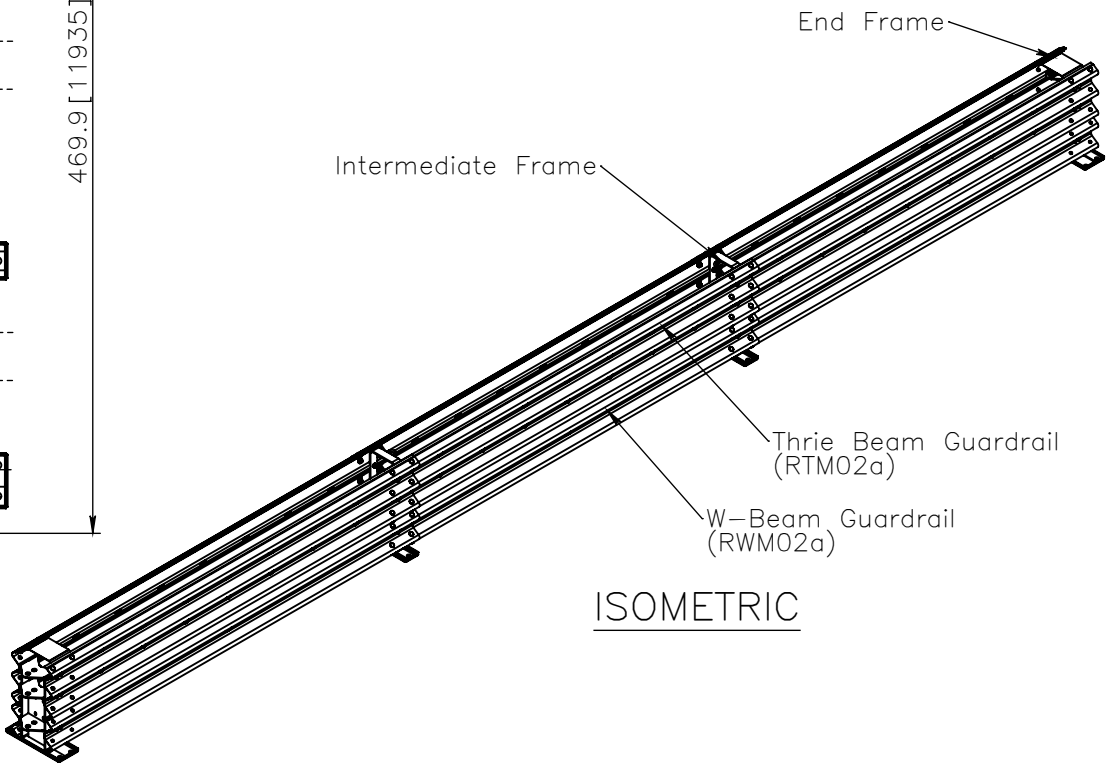
SIDE



PLAN



2013



ISOMETRIC

ORION PORTABLE STEEL BARRIER TL-3



SWM16a-b

SHEET NO.	DATE:
1 OF 2	07/10/2013